

VERTICAL BLINDS

1. CONTROL

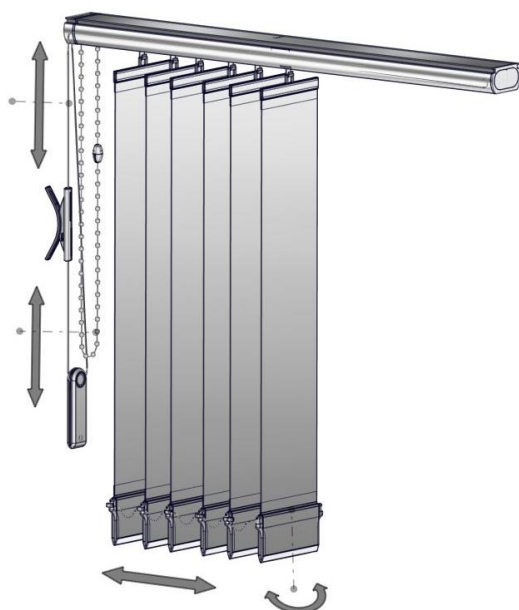
low ering to control



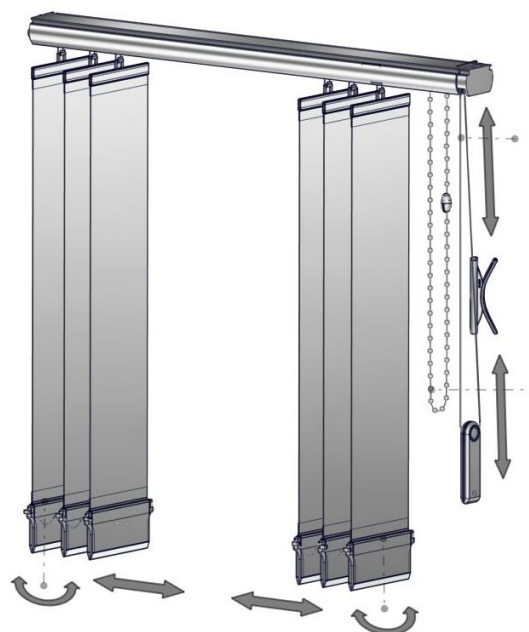
lowering from the control



lowering curtain to the sides



lowering curtain into the centre



DESCRIPTION OF CONTROL USING THE CORD AND CHAIN:

The lamellas are tilted by drawing one piece of the chain in only one direction. Before lowering the lamellas to the side, set the lamellas into the end position towards the window by using the chain. Then lower/ lift lamellas by drawing the cord with the ballast (again by drawing the cord in one direction), manual setting.

2. MAINTENANCE

The product does not require any extraordinary maintenance or lubrication of control mechanisms.

In the case of dirtying (dust), regularly use a fine brush or a slightly adjusted manual vacuum cleaner.

During common cleaning regularly wipe the surface with a cloth or a wet soft textile or sponge. Only use soap solutions without chemical ingredients at a temperature of up to 30°C.

Do not use aggressive detergents, such as organic solvents, cleaning sand, cleaning pastes, developing steams and strong alkali cleaning detergents.

FABRIC'S MAINTENANCE

First, clean the surface of the fabric, moving the dust laid on it. You must do it with air, in a soft way. Maybe using a vacuum or a machine for cleaning that sprays air, for example.

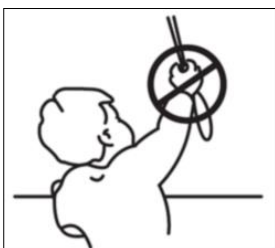
Once you have your fabric prepared without the dust, you can also clean it using a little towel or a wipe, but with a really low level of humidity (not wet, if you are using a really wet wipe you will get probably some stains on it) so, is important not to wet this wipe, only give humidity to it and then apply on shantung in a very delicate and soft way, touching it with delicate strokes.

NOTIFICATION:

Ensure careful cleaning of shading lamellas and textiles to prevent jamming or other damage.

Fabric with a steaming layer must not be cleaned with water – the layer can be damaged. When cleaning windows, set the product into a position to prevent damage and any interference while cleaning. Protect the product against dirtying during reconstruction and painting.

3. SAFETY INSTRUCTIONS



Important note

Pursuant to the EN 13 120 standard, we hereby call your attention to possible hazards posed by the use of pull cords and chains!

Safety instructions / strangulation hazard:

- Young children have been strangled by loops in pull-cords, chains and tapes, and cords that operate the product.

- To avoid strangulation and entanglement, keep cords out of the reach of young children. Cords may become wrapped around a child's neck.
- Move beds, cots and furniture away from window covering cords.
Install the enclosed safety components to make sure cords do not twist and create a loop.
- Do not use force when handling the product if any obstacle prevents its motion.
- Do not attach any items to the product (particularly on the lamellas, control cords, nylon and draw bars).
- Prevent mechanical stress and damage to the product.
- For products controlled by cords, keep cords out of the reach of children to prevent entangling and jamming.
- Handle the product carefully, especially during cleaning.
- Wind the pull cords to the reel after each use!

FOR PRODUCTS WITH MOTOR-DRIVEN DRIVES:

- To set the electric control of the product, follow the manual for this device that was delivered by the supplier.
- Do not allow children to play with the equipment. Keep the remote control out of the reach of children.
- Check the installation for damage to inlets.
- For the inspection or maintenance of electrical parts, the product must be disconnected in an appropriate manner from the electricity supply.

NOTIFICATION:

Electrical installation, assembly and maintenance must only be performed by fully-qualified persons who are authorized and capable of the stated actions.

In the case of a defect or mechanical damage to the product, prevent any further use.

NOTES:

- If the product is not functional, contact the seller or the firm which assembled the product.
- The display of the product may slightly differ from the actual version. The producer reserves the right to make changes.
- After the termination of the service life, do not dispose of in communal waste. Materials used can be separated and handed over in accordance with the valid regulations on waste and environmental protection.
Information on waste collection points can be obtained from the local administration office.